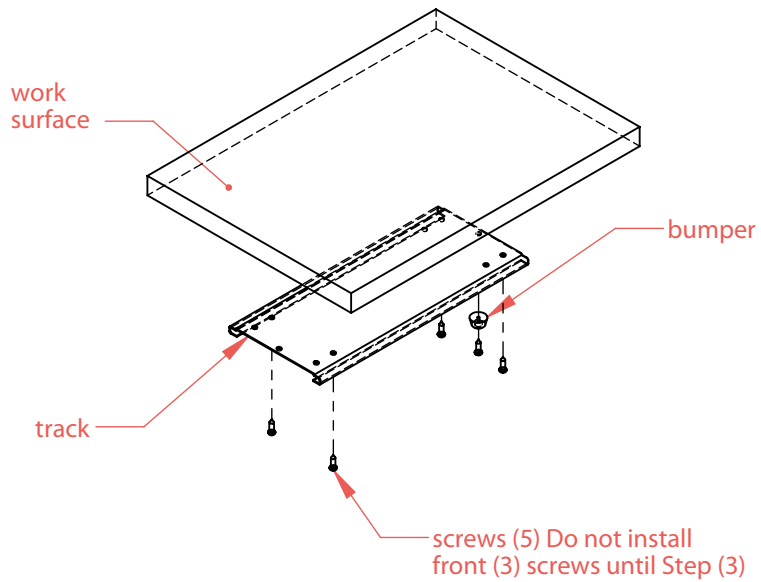
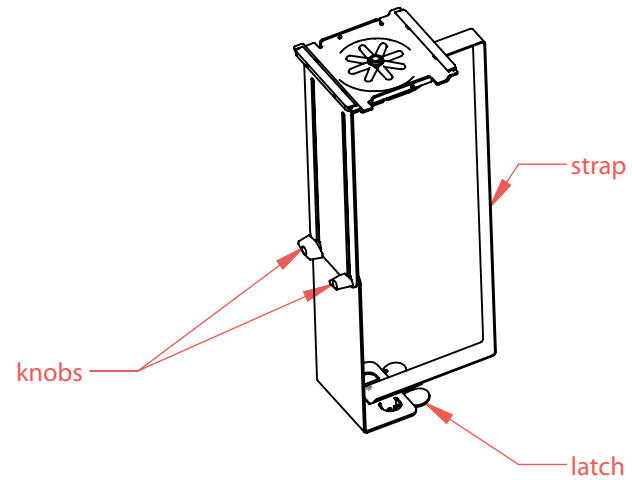


VCP6800 CPU Holder Instructions

(1) MOUNT TRACK

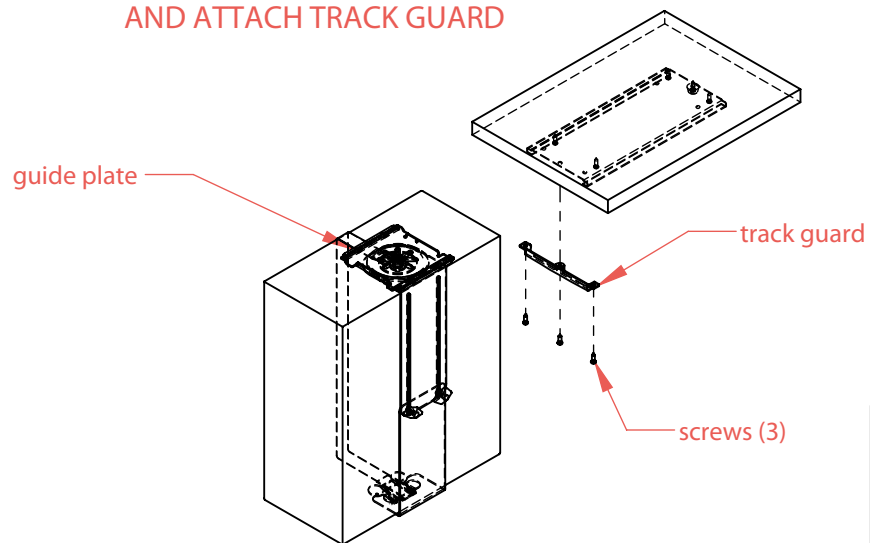


(2) PLACE CPU IN HOLDER.



Loosen knobs and swing latch towards the knobs to loosen the strap. Place CPU in holder. Tighten knobs and strap. Swing the latch back to tighten the strap.

(3) SLIDE GLIDE PLATE INTO TRACK AND ATTACH TRACK GUARD



For questions or concerns, please contact:
 321 E.1st Street, Centuria, WI 54824
 800-969-9708 Fax: 888-443-1757
 custcare@stratisindustries.com

© 2012 Stratis Industries All Rights Reserved

PART DESCRIPTION	QUANTITY
TRACK	1
SCREWS	8
BUMPER	1
TRACK GUARD	1
CPU HOLDER	1